

veritas®

Variable-Angle Fence for Veritas® Planes



05P30.04

This plane fence does not limit you to right angles; it can be used to accurately and consistently plane any angle from 45° to 135°. The spring-loaded lever locks the angle setting and can be rotated out of the way after locking. The anodized aluminum fence can be attached to either side of the plane (for right- or left-handed use) with the clamping knobs provided. The two additional threaded holes can be used to store the clamping knobs when the fence is not in use, and the through-holes in the fence can be used to attach a wooden guide to the inside face of the fence.

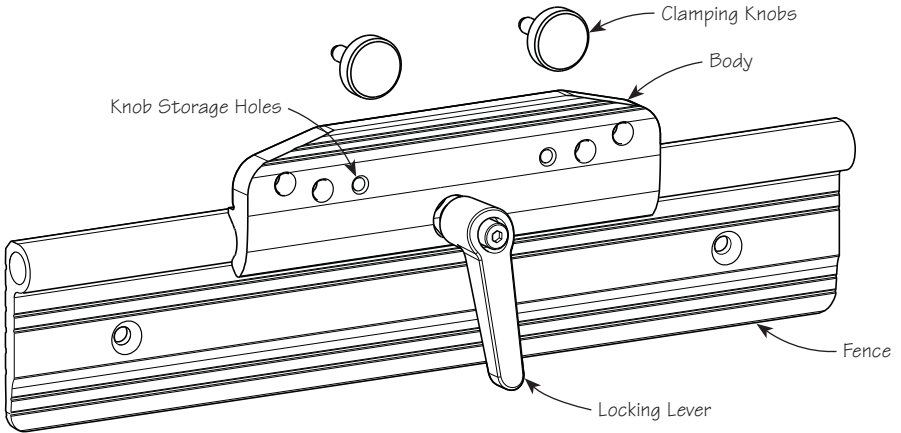


Figure 1: Variable-angle fence components.

Installation

Bring the fence up to the side of the plane until the step in the fence makes contact with the sole of the plane. Position the fence such that the mounting holes are aligned and insert the two clamping knobs. Push the fence so that the step in the fence is tight against the sole of the plane, then tighten the two clamping knobs.

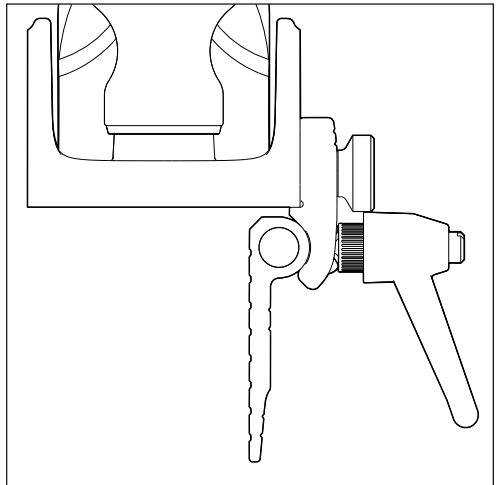


Figure 2: Installing fence to plane.

Setting the Angle

The fence can be set for square or any angle through 45° to either side (45° through 135°). Loosen the locking lever and pivot the fence to the desired angle, using a square, miter or set-up piece as your guide, then tighten the locking lever. After setting the angle, you can rotate the locking lever out of the way, if necessary.

Note: What is important is the relationship of the **blade** to the fence, not the blade to the sole. You can fine tune the angle by setting the lateral adjustment of the blade.

Tip: When planing a workpiece with the fence set to a 45° angle, and the desire is to plane right to the edge, a wooden sub-fence may be used. Without it, a small flat will be left on the edge that does not get planed by the blade.

Instructions

It is important that the fence be held firmly against the face of the workpiece being planed in order to get accurate results. This ensures that the fence will govern the plane's orientation, not the sole. Press the fence firmly **against the workpiece** with your forward hand and push the plane with your other hand.

Angles less than 45°

For angles less than 45° , attach a bevelled piece of wood to the fence using #10 flat-head screws through the countersunk holes.

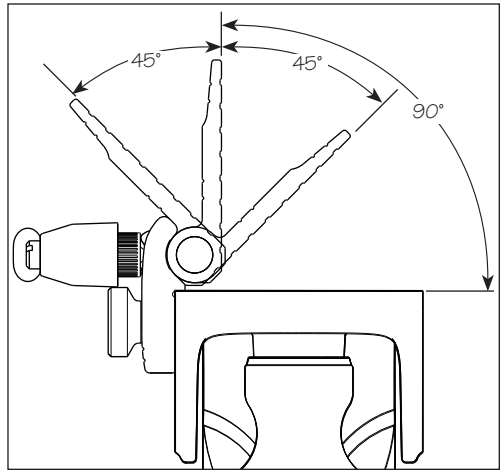


Figure 3: Setting the fence angle.

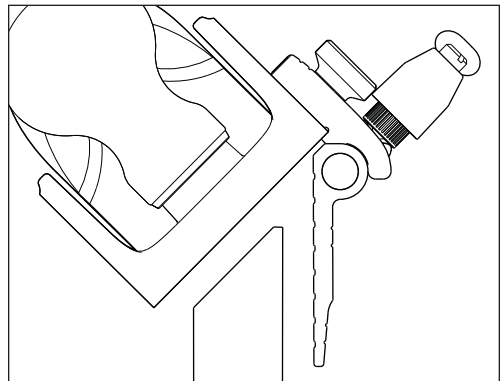


Figure 4: Planing at 45° .

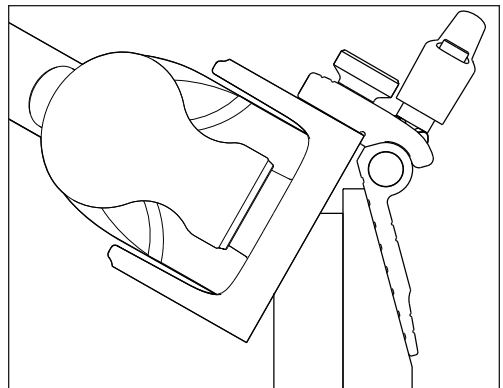


Figure 5: Attaching bevelled piece of wood to inside of fence to shoot angles less than 45° .

veritas[®] Tools Inc.

814 Proctor Avenue 1090 Morrison Drive
Ogdensburg NY 13669-2205 Ottawa ON K2H 1C2
United States Canada

customerservice@veritastools.com
www.veritastools.com