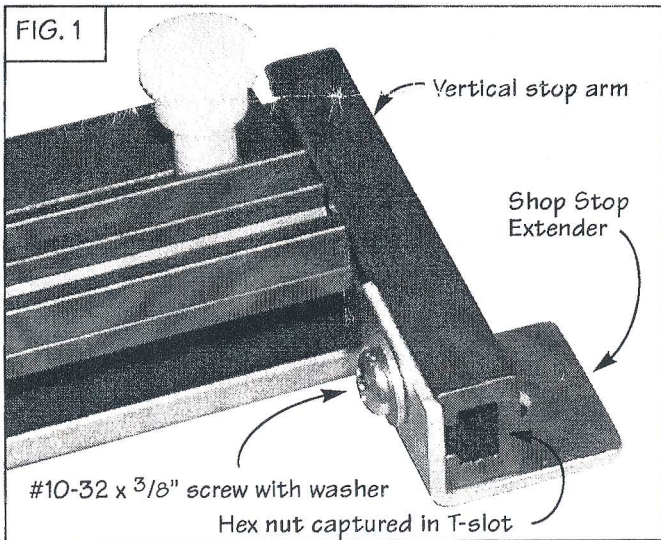
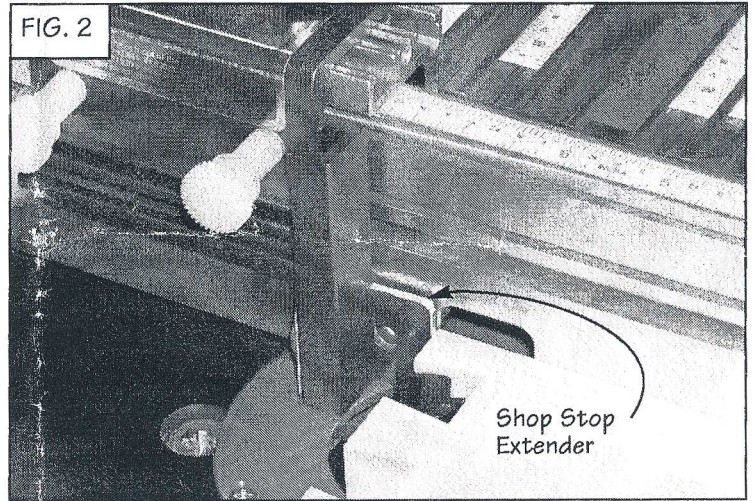


**1** When making the pin cuts for through dovetails, you must add the Shop Stop Extender to the vertical stop arm on your INCRA Shop Stop. Use the #10-32 x 3/8" phillips head screw with washer and hex nut to attach the clip to the T-slot located on the vertical stop bar on the Shop Stop, see **Fig. 1**.



**2** Once attached, the Shop Stop Extender provides a stop surface close to the fence giving ample clearance for the dovetail bit, **Fig. 2**.



**Made by:** Taylor Design Group, Inc.,  
P.O. Box 810262, Dallas, Texas 75381  
Web Site: [www.incra.com](http://www.incra.com)

Printed in the U.S.A. © 2000, 2001 Taylor Design Group, Inc.  
INCRA is a registered trademark of Taylor Design Group, Inc.